

Low Profile Platform Load Cell



FEATURES

- Rated capacities of 100 to 2000 pounds
- Unique shear beam design - aluminum construction
- Moment-compensated design for minimal sensitivity to moments induced by off-center loading
- Ideal for situations exceeding the capabilities of similar "brick" design load cells
- Trade certified for NTEP Class III:5000 divisions; Class III L:10000 divisions and OIML R60 3000 divisions
- *Sensorgage*™ sealed to IP67 standards
- Factory Mutual System Approved for Classes I, II, III; Divisions 1 and 2; Groups A through G. Also, non-incendive ratings (No barriers!).
- Also available in stainless steel

DESCRIPTION

Model 60060 is a single point load cell designed for direct mounting of large platforms.

The product is a cost-effective load cell for use on counting, weighing, bench or floor scale products.

This high accuracy load cell is approved to OIML R60, NTEP and other stringent approval standards. Suitable for use in hazardous environments, these load cells can be provided with European approval to EEx ia IIC T4 and are FM approved to class I, II, III, Division I.

A special humidity-resistant protective coating assures longterm stability over the entire compensated temperature range.

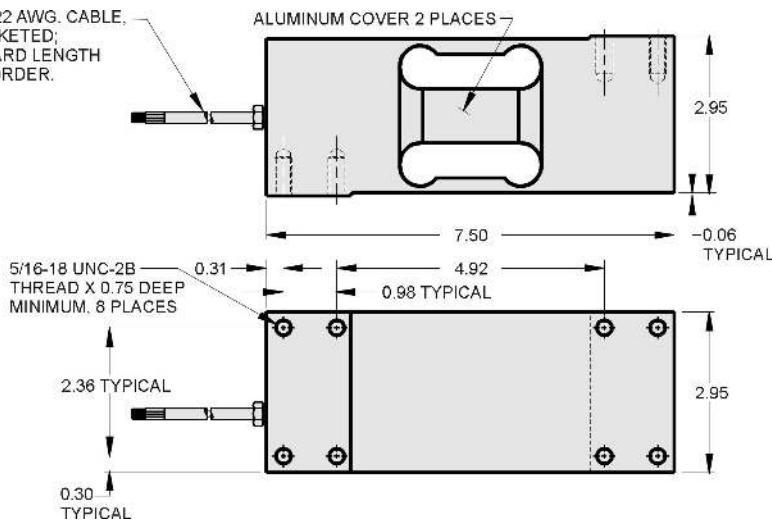
The two additional sense wires, sample the bridge supply voltage at the load cell. Complete compensation of change on the in the lead wires resistance, due to temperature change and/or cable extension, is achieved by feeding this voltage into the appropriate electronics.

APPLICATIONS

- Single-point platform scales
- Belt conveyor scales
- Bench and counting scales
- Checkweighing scales
- Hopper scales and netweighing

OUTLINE DIMENSIONS in inches

4 CONDUCTOR; 22 AWG. CABLE, SHIELDED & JACKETED; 10 FOOT STANDARD LENGTH OR PER SALES ORDER.



Wiring

- + Excitation Red
- Excitation Black
- + Output Green
- Output White

CAPACITY	DEFLECTION	WEIGHT
100 - 250	0.010	6.0
500 - 2K	0.006	6.0

Capacities are in pounds. Deflection is ±10%. Certified drawings are available.

**SPECIFICATIONS**

PARAMETER	VALUE			UNIT
Rated capacity-R.C. (E_{max})	100, 250, 500, 750, 1K, 2K			lbs
NTEP/OIML Accuracy class	NTEP IIII	Standard	OIML R60*	
Maximum no. of intervals (n)	10,000 multiple	--	3000	
$Y = E_{max}/V_{min}$	See NTEP Cert. No. 98-038			Maximum available
Rated output-R.O.	2.0			mV/V
Rated output tolerance	± 10			$\pm\%$ mV/V
Zero balance	1.0			$\pm\%$ FSO
Combined error	0.02	0.03	0.02	$\pm\%$ FSO
Non-repeatability	0.010	0.015	0.010	$\pm\%$ FSO
Creep error (30 minutes)	0.03	0.05	0.017	$\pm\%$ of applied load
Temperature effect on zero	0.0010	0.0015	0.0010	$\pm\%$ FSO/ $^{\circ}$ F
Temperature effect on output	0.0008	0.0008	0.0007	$\pm\%$ of load/ $^{\circ}$ F
Compensated temperature range	14 to 104 (-10 to 40)			$^{\circ}$ F ($^{\circ}$ C)
Operating temperature range	0 to 150 (-18 to 65)			$^{\circ}$ F ($^{\circ}$ C)
Storage temperature range	-60 to 185 (-50 to 85)			$^{\circ}$ F ($^{\circ}$ C)
Safe sideload	100			% of R.C.
Safe overload	300			% of R.C.
Sideloading rejection ratio	500:1			
Excitation, recommended	10			Vdc or Vac rms
Excitation, maximum	15			Vdc or Vac rms
Input impedance	400 nominal			Ω
Output impedance	349 - 355			Ω
Sealing	IP67			
Material	Aluminum**			
Moment compensation	250 - 1Klbs	2Klbs		
Moment sensitivity	≤ 0.005	≤ 0.005		% of applied load/inch
Maximum moment	10 x capacity	10000		lbs-inches
Platform size	30 x 30	30 x 30		inches

* 100 lbs is not approved by OIML

** Stainless steel also available

FSO - Full Scale Output

All specifications subject to change without notice.

VISHAY TRANSDUCERS (VT) SALES OFFICES

VT Americas
City of Industry, CA
PH: +1-626-858-8899
FAX: +1-626-332-3418
vt.us@vishaymg.com

VT Netherlands
Breda
PH: +31-76-548-0700
FAX: +31-76-541-2854
vt.nl@vishaymg.com

VMG UK
Basingstoke
PH: +44-125-646-2131
FAX: +44-125-647-1441
vt.uk@vishaymg.com

VMG Israel
Netanya
PH: +972-9-863-8888
FAX: +972-9-863-8800
vt.il@vishaymg.com

VMG Germany
Heilbronn
PH: +49-7131-3901-260
FAX: +49-7131-3901-2666
vt.de@vishaymg.com

VT China
Tianjin
PH: +86-22-2835-3503
FAX: +86-22-2835-7261
vt.prc@vishaymg.com

VMG France
Chartres
PH: +33-2-37-33-31-20
FAX: +33-2-37-33-31-29
vt.fr@vishaymg.com

VT Taiwan*
Taipei
PH: +886-2-2696-0168
FAX: +886-2-2696-4965
vt.roc@vishaymg.com
*Asia except China