

Precision Shear Web Disk



FEATURES

- Compact size with low profile
- Low deflection for high output
- Electroless nickel plated alloy tool steel construction
- Off center load compensated
- OIML C3 available for whole series

DESCRIPTION

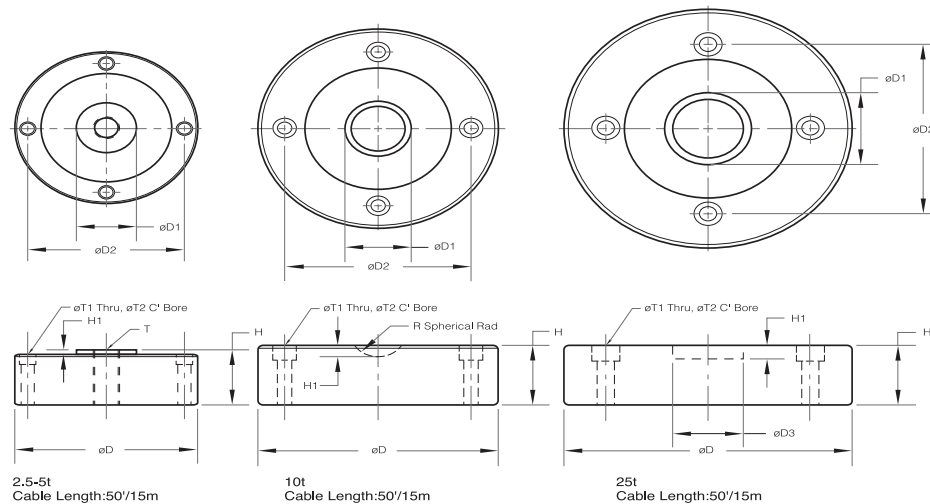
A low profile design that makes PSD the most suitable application concerning critical height for safety reasons. The shear web design provides excellent performance even when side forces are inevitable in normal operations. The typical example for side force resistance is the application in motor truck scales.

PSD is constructed of alloy steel and is fully potted with special chemical compounds to IP67 to protect the cell from water and moisture attack.

APPLICATIONS

- Platform scales
- Hopper and vessel weighing
- Truck scales

OUTLINE DIMENSIONS



| CAPACITY | | D | D1 | D2 | D3 | H | H1 | R | T | T1 | T2 |
|-----------|--------|-------|------|-------|------|------|------|------|---------|------|-------------|
| 2.5t / 5t | mm | 104.7 | 32.0 | 88.9 | ---- | 34.8 | 3.05 | ---- | M16x1.5 | 7.2 | 10.5x7.2DP |
| | (inch) | 4.12 | 1.26 | 3.50 | ---- | 1.37 | 0.12 | ---- | | 0.28 | 0.41x0.28DP |
| 10t | mm | 138.0 | 38.9 | 106.4 | ---- | 41.1 | 7.62 | 22.2 | ---- | 8.7 | 13.5x9.7DP |
| | (inch) | 5.43 | 1.53 | 4.19 | ---- | 1.62 | 0.30 | 0.87 | ---- | 0.34 | 10.5x7.2DP |
| 25t | mm | 165.0 | 50.4 | 116.8 | 42.0 | 41.1 | 8.0 | ---- | ---- | 10.3 | 15.9x10.2DP |
| | (inch) | 6.50 | 1.98 | 4.60 | 1.65 | 1.62 | 0.31 | ---- | ---- | 0.41 | 0.63x0.40DP |



SPECIFICATIONS

| | | | |
|---------------------------|-----------------|-------------------------------|------------------|
| Standard Capacity | 2.5, 5, 10, 25t | | |
| Recommended Excitation | 10 V AC/DC | Compensated Temp. Range | - 10°C to + 40°C |
| Maximum Excitation | 15 V AC/DC | Operating Temp. Range | - 20°C to + 60°C |
| Output at Rated Load | 3 mV/V ± 0.25% | Zero Balance | ± 1% |
| Combined Error | 0.025% | Input Resistance | 385 ± 5Ω |
| Non Repeatability | 0.02% | Output Resistance | 350 ± 3Ω |
| Creep (20 minutes) | 0.03% | Insulation Resistance (50VDC) | >5000MΩ |
| Zero Return (20 minutes) | 0.03% | Deflection at Rated Load | <0.5mm |
| Temp. Effect/10°C on Span | 0.015% | Safe Overload | 150% |
| Temp. Effect/10°C on Zero | 0.026% | Ultimate Overload | 300% |

All specifications listed subject to change without notice.

VISHAY TRANSDUCERS (VT) SALES OFFICES

VT Americas
Covina, CA

PH: +1-626-858-8899
FAX: +1-626-332-3418
vt.us@vishaymg.com

VMG France
Chartres

PH: +33-2-37-33-31-20
FAX: +33-2-37-33-31-29
vt.fr@vishaymg.com

VT Canada
Toronto

PH: +1-416-251-2554
FAX: +1-416-251-2690
vt.can@vishaymg.com

VMG Iberica
Madrid

PH: +34-91-7218890
FAX: +34-91-7219056
vt.es@vishaymg.com

VMG UK
Basingstoke

PH: +44-125-646-2131
FAX: +44-125-647-1441
vt.uk@vishaymg.com

VMG Israel
Netanya

PH: +972-9-863-8888
FAX: +972-9-863-8800
vt.il@vishaymg.com

VT Sweden
Karlskoga

PH: +46-586-630-00
FAX: +46-586-630-99
vt.se@vishaymg.com

VT China
Tianjin

PH: +86-22-2835-3503
FAX: +86-22-2835-7261
vt.prc@vishaymg.com

VMG Germany
Heilbronn

PH: +49-7131-3901-260
FAX: +49-7131-3901-2666
vt.de@vishaymg.com

VT Taiwan*
Taipei

PH: +886-2-2696-0168
FAX: +886-2-2696-4965
vt.roc@vishaymg.com
*Asia except China